

Job Name: \_\_\_\_\_  
 Location: \_\_\_\_\_  
 Contact #: \_\_\_\_\_



## Specifications

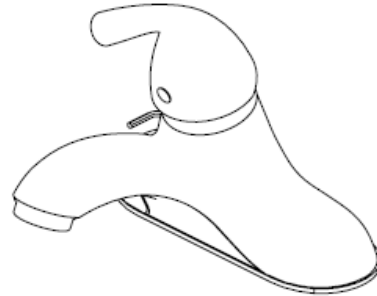
### Model

412403 – Chrome finish  
 405408 – Brushed Nickel With PVD finish

### Description

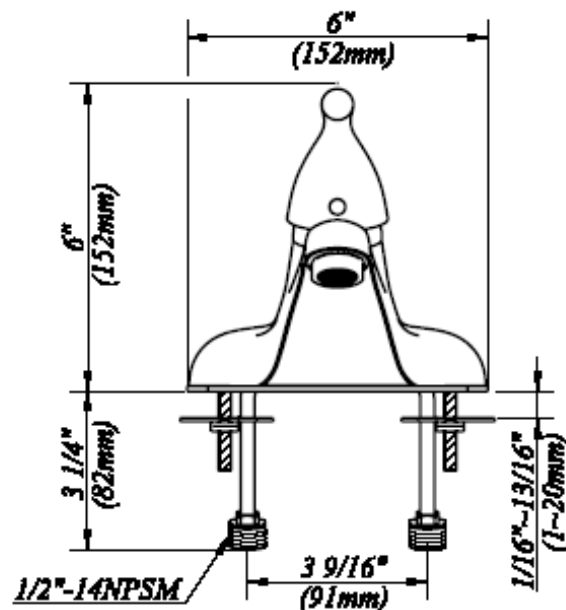
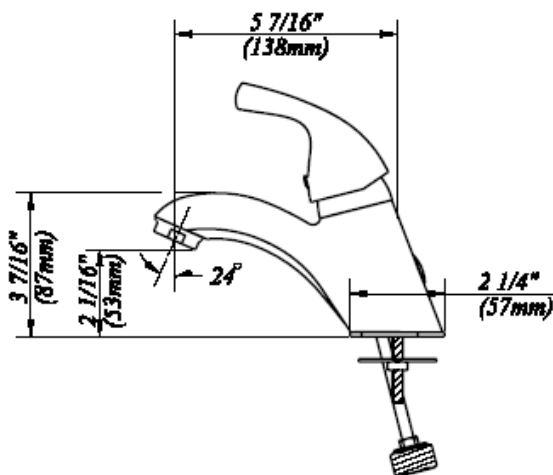
- o Lead free brass waterways
- o Fits 4" Center Holes
- o Drip-free ceramic cartridge
- o 1/2" -14 NPSM Inlet
- o Metal lever handle
- o Water saving aerator
- o Max flow rate: 1.2GPM at 60Psi
- o 100% Factory Pressure Tested

## 4" Single Handle Lavatory Faucet



### Standards

- o ASME A112.18.1M/A112.18.1
- o IAPMO/cUPC
- o NSF/ANSI 61 – Sec. 9
- o NSF/ANSI 372
- o ADA
- o EPA WaterSense
- o Galgreen
- o \* ≤ .25% Pb



CALGreen



Technical Support

888-328-2383

Manufacturer model#F41B4023

## Warranty Parts List

### 4" Single Handle Lavatory Faucet

#	Description	Part #
1	Metal Handle	A069406
2	Index Button-Cold/Hot	A66D569
3	Trim Cap	A103041-P
4	Locking Nut	A104002
5	Ceramic Disc Cartridge	A507348N
6	Lift Rod Plug	A028005
7	Aerator	A500021N-51
8	Putty plate	A011085
9	Mounting Hardware	A504036

